



20TH ASIAN BATTERY Conference and Exhibition

SIEM REAP 2023

Tuesday 5 – Friday 8 September 2023
Sokha Siem Reap Resort & Convention Center

3rd Sept Sunday : Move in and set up for Organizer

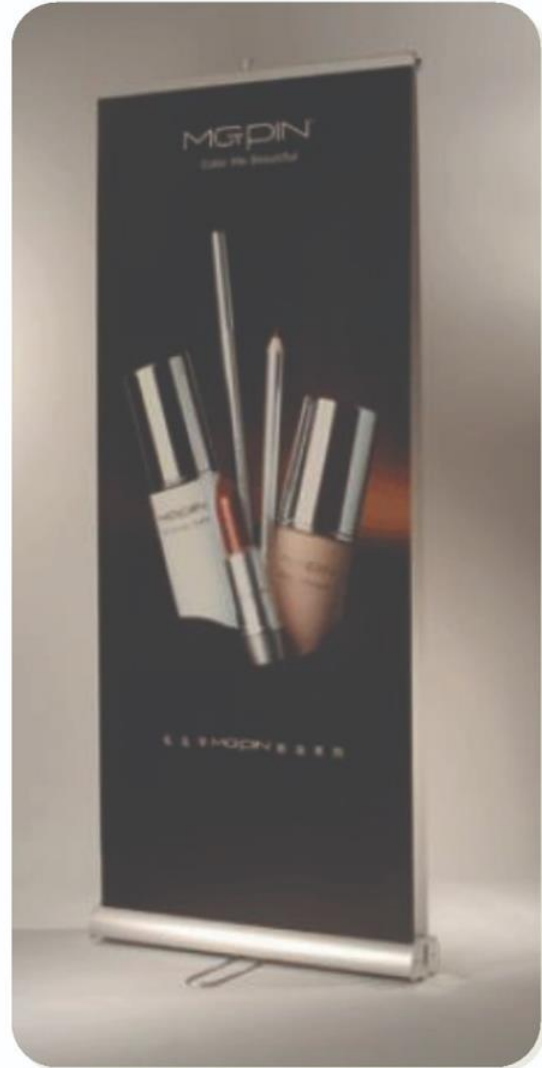
4th Sept Monday : Move in and set up for Organizer and non official contractor

5th Sept Tuesday : Move in and set up for Exhibitors (09.:00 -18:00)

Registration and Pre-Conference activities

6th – 8th Sept Wednesday - Friday : Exhibition Day

8th Sept Friday : 17:00 Teardown



Pull Up Banner

Graphic *Dimension*

850mmL x 2000mmH

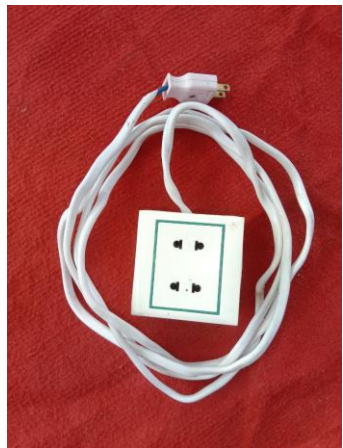
Price: US\$130

Subject to 10% vat tax



Standard System Booth
Size : 3mW x 2mD x 2.5mH
Comes with grey carpet for
Foyer Booth
No carpet for booth built in the
ballroom.
5amp power socket will be
provided for each booth.

Information Desk
75cm x 100cm x 50cm



Fascia printable size 20cm

Partition printable
area 0.95m x 2.40m

Grey carpet



Inkjet sticker print logo on fascia board

Graphic Dimension
420mmL x 210mmH
Price : US\$8.00



Full inkjet sticker print on 3mL fascia board

Graphic Dimension
2930mmL x 210mmH
Price : US\$50

- Price quoted are subject to 10% vat tax
- Kindly provide the final artwork in AI/ High res pdf format

Enhancement on Fascia Board



Inkjet sticker printed on compressed foam board logo on fascia board

Graphic Dimension
600mmL x 310mmH
Price : US\$20



Full compressed foam board on 3mL fascia board

Graphic Dimension
3000mmL x 310mmH
Price: US\$95



Inkjet sticker print on Counter / lockable cabinet

Price : US\$45 *Front Graphic Dimension*
910mmL x 615mmH

Price : US\$45 (2 side) *Side Graphic Dimension*
455mmL x 615mmH

- Price quoted are subject to 10% vat tax
- Kindly provide the final artwork in AI/ High res pdf format

Logo on Information Counter / Lockable cabinet



Compressed Foam board on Counter / lockable cabinet

Price : US\$80 *Front Graphic Dimension*
1030mmL x 760mmH

Price : US\$85 (2side) *Side Graphic Dimension*
535mmL x 760mmH



Inkjet sticker print on compressed foam board

Price : US\$250
Per 1m length panel

Front Graphic Dimension
1000mmL x 2470mmH

e.g.

5 panels x price = total based on the above picture for 2 walls of 3mL + 2mL x 2.47mH

- *Price quoted are subject to 10% vat tax*
- *Kindly provide the final artwork in AI/ High res pdf format*



Inkjet sticker print on system panel

Price : US\$180
Per 1mL panel

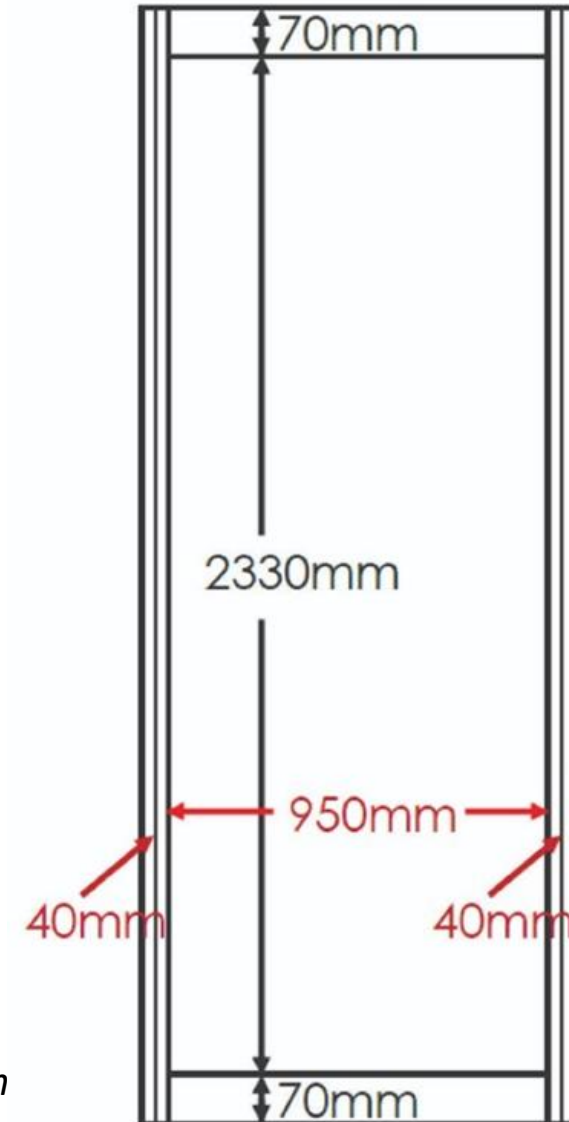
Viewable *Graphic Dimension*
950mmL x 2330mmH

Printable *Graphic Dimension*
964mmL x 2350mmH

e.g.

5 panels x price = total based on the above picture for 2 walls of 3mL + 2mL x 2.47m

- Price quoted are subject to 10% vat tax
- Kindly provide the final artwork in AI/ High res pdf format





20TH ASIAN BATTERY
Conference and Exhibition



US\$ 4,200

Subject to 10% vat tax



20TH ASIAN BATTERY
Conference and Exhibition

Custom built booth Booth 3m x 2m

Backdrop : 3m x2m
Logo lightbox
Laminate flooring 2cm
TV 65" x 1 unit
Hi stool x 2 units
Hi cocktail table x 1





20TH ASIAN BATTERY
Conference and Exhibition



US\$ 4,950

Subject to 10% vat tax



Custom built booth
Booth 4m x 2m

- Backdrop : 4m x2m
- Laminate flooring 5cm
- TV 65' x 2 unit
- Sofa 3 seated x1
- Sofa single seated x 1
- Glass coffee table x 1





20TH ASIAN BATTERY
Conference and Exhibition



US\$ 7,500

Subject to 10% vat tax

Custom built booth
Booth 6m x 2m

Backdrop : 6m x 2m
Laminate flooring 2cm
TV 65' x 2 units
TV 55' x 1 unit
Hi stool x 2 units
Hi cocktail table x 2 units





Thank You

For more information please contact

Angela Yong

angela@cosmos-av.com

Tel : +668 4737 9288

Or

Email to 20abc@cosmos-av.com